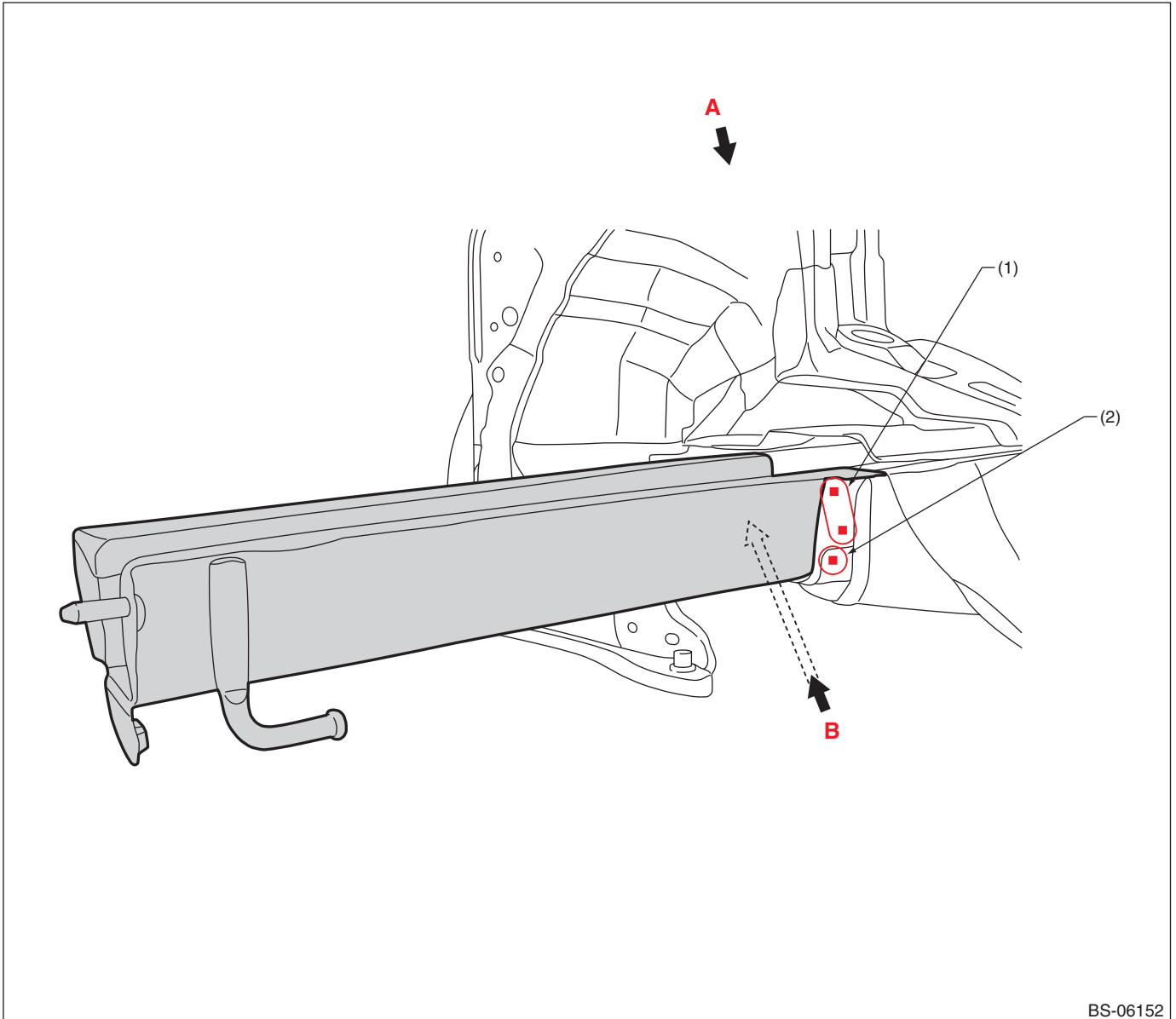


Panel Replacement

B: INSTALLATION

• Overall view



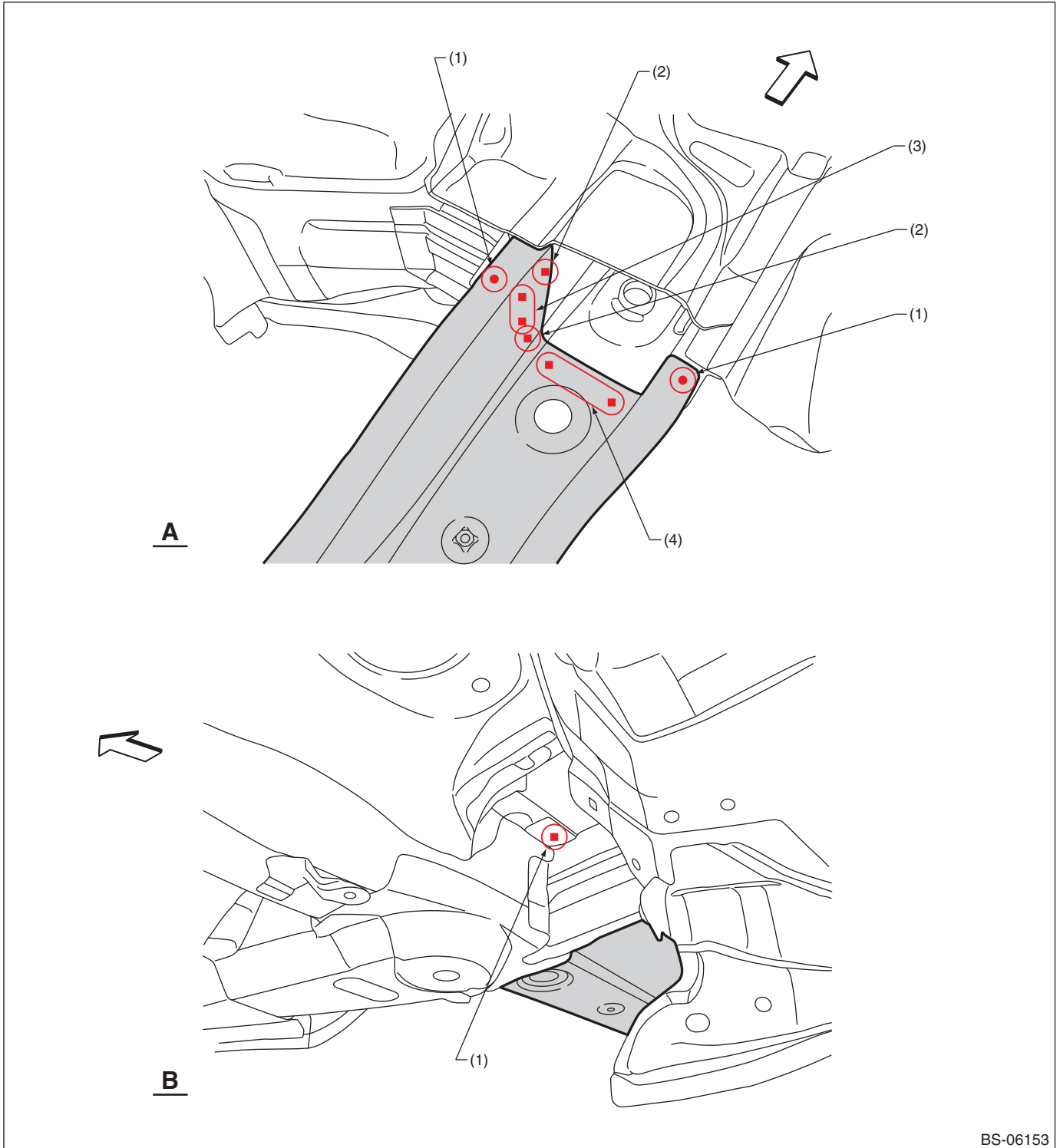
BS-06152

(1) 2 points

(2) 1 point

Panel Replacement

• Views



BS-06153

(1) 1 point

(2) 1 point (service)

(3) 2 points (service)

(4) 3 points (service)